



2265 Crosswind Drive • Prescott, AZ 86301
(928) 636-3175 • www.p-a-g.net

CHEVY/GMC HD, AVALANCHE, YUKON XL, SUBURBAN SKID PLATE INSTALLATION INSTRUCTIONS 1999-2007

FRONT KIT# 8082*
BOTTOM KIT# 8092*

***FOR USE WITH TM SUSPENSION LIFT KITS
ONLY**

⚠ WARNING

Before you install this kit, read and understand all instructions, warnings, cautions, and notes in this instruction sheet and in the vehicle owner's manual.

⚠ CAUTION

Proper installation of this kit requires knowledge of the factory recommended procedures for removal and installation of original equipment components. We recommend that the factory shop manual and any special tools needed to service your vehicle be on hand during the installation. Installation of this kit without proper knowledge of the factory recommended procedures may affect the performance of these components and the safety of the vehicle. We strongly recommend that a certified mechanic familiar with the installation of similar components install this kit.

⚠ WARNING

Always wear eye protection when operating power tools.

⚠ WARNING

Before you install this kit, block the vehicle tires to prevent the vehicle from rolling.

NOTE

Performance Automotive Group recommends using the Loctite® supplied in the kit on the threads of all kit nuts and bolts unless specified otherwise in these instructions.

Before Starting Installation

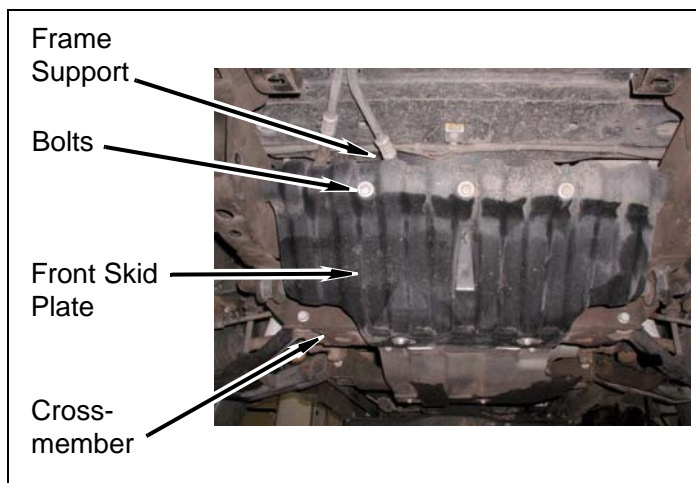
NOTE

Kit parts are prefaced by the word *kit* and appear in **bold print**.

1. Carefully read all warnings and instructions completely before beginning.
2. Verify all parts have been received in this kit by checking the parts list at the end of this document.
3. **Only install this kit on the vehicle for which it is specified.** If anytime during the installation you encounter something different from what is outlined in the instructions, call technical support at (928) 636-3175.
4. Park vehicle on a clean, dry, flat, level surface and block tires so vehicle cannot roll in either direction.

Prepare to Install Front Skid Plate (With Stock or No Bottom Skid Plate)

1. If equipped, remove five bolts and front skid plate from front crossmember and frame support.



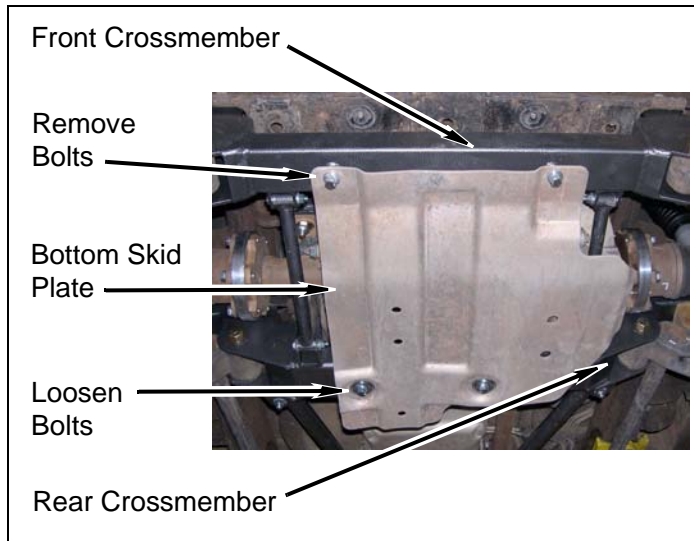
2. If equipped, loosen, but **DO NOT REMOVE** two rear bolts, washers, and bottom skid plate from rear crossmember.

crossmember with two **kit bolts** (7/16" x 1") and two **kit washers** (7/16" lock).

3. **TIGHTEN** all hardware.

Prepare to Install Front Skid Plate (With Kit# 8092 Bottom Skid Plate)

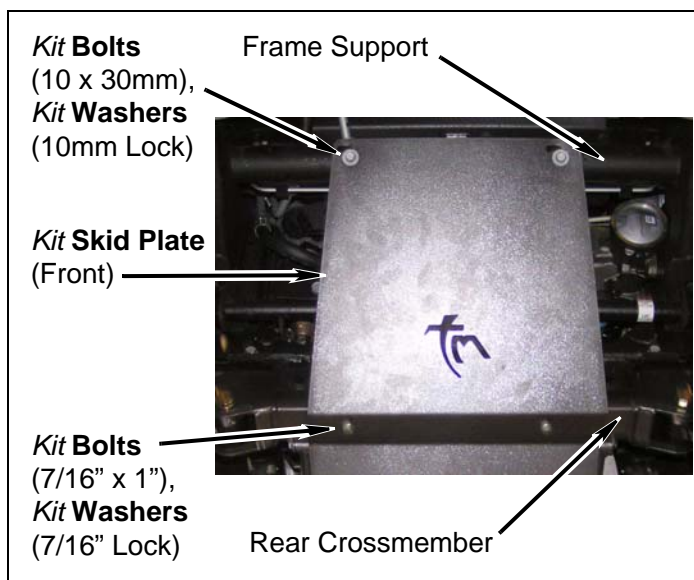
1. If equipped, remove five bolts and front skid plate from front crossmember and frame support.



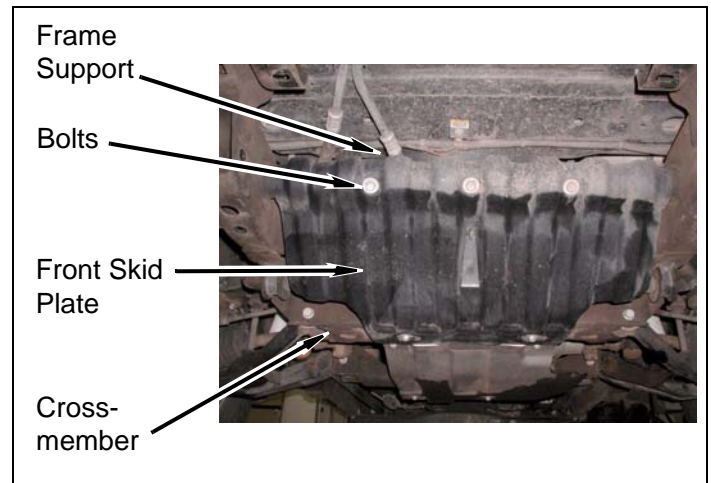
3. If equipped, remove two bolts, washers, and bottom skid plate from front crossmember.

Install Front Skid Plate (With Stock or No Bottom Skid Plate)

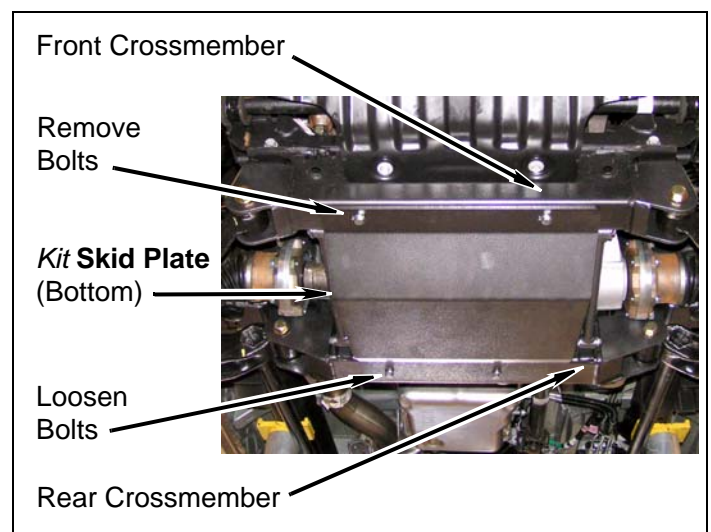
1. **From 8082BAG:** Apply small amount of **kit Loctite®** onto threads of two **kit bolts** (10mm x 30mm) and install **kit skid plate** (front) onto frame support with two **kit bolts** (10mm x 30mm) and two **kit washers** (10mm lock). **DO NOT TIGHTEN.**



2. Apply small amount of **kit Loctite®** onto threads of two **kit bolts** (7/16" x 1") and install **kit skid plate** (front) and bottom skid plate, if equipped, onto front



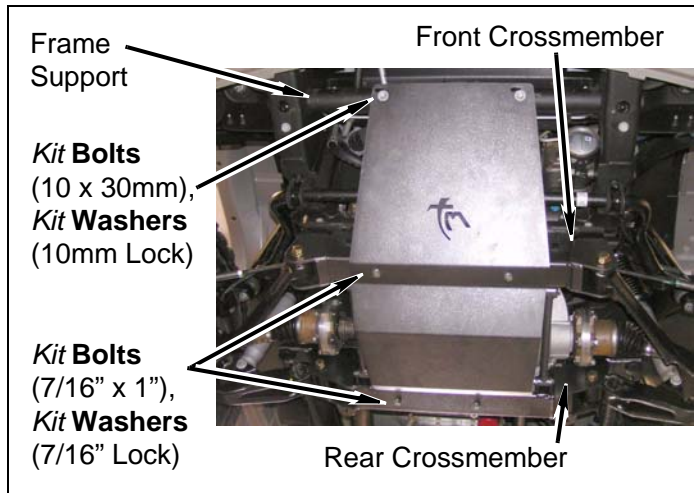
2. If equipped, loosen, but **DO NOT REMOVE** two rear bolts, washers, and **kit skid plate** (bottom) from rear crossmember.



3. If equipped, remove two bolts, washers, and **kit skid plate** (bottom) from front crossmember.

Install Front Skid Plate (With Kit# 8092 Bottom Skid Plate)

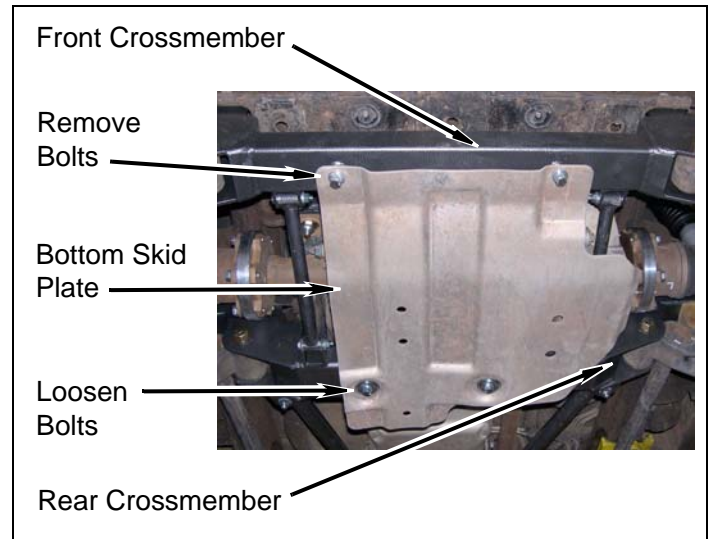
1. **From 8082BAG:** Apply small amount of *kit Loctite*® onto threads of two *kit bolts* (10mm x 30mm) and install *kit skid plate* (front) onto frame support with two *kit bolts* (10mm x 30mm) and two *kit washers* (10mm lock). **DO NOT TIGHTEN.**



2. Apply small amount of *kit Loctite*® onto threads of two *kit bolts* (7/16" x 1") and install *kit skid plate* (bottom) onto rear crossmember with two *kit bolts* (7/16" x 1") and two *kit washers* (7/16" lock). **DO NOT TIGHTEN.**
3. Apply small amount of *kit Loctite*® onto threads of two *kit bolts* (7/16" x 1") and install *kit skid plate* (front) and *kit skid plate* (bottom) onto front crossmember with two *kit bolts* (7/16" x 1") and two *kit washers* (7/16" lock).
4. **TIGHTEN** all hardware.

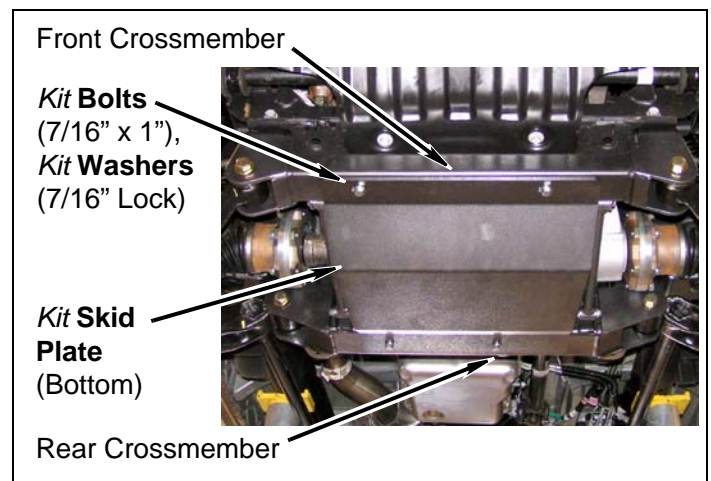
Prepare to Install Bottom Skid Plate (ONLY)

1. If equipped, remove four bolts, washers, and bottom skid plate from front and rear crossmembers.



Install Bottom Skid Plate (ONLY)

1. **From 8091BAG:** Apply small amount of *kit Loctite*® onto threads of four *kit bolts* (7/16" x 1") and install *kit skid plate* (front) and *kit skid plate* (bottom) onto front and rear crossmembers with four *kit bolts* (7/16" x 1") and four *kit washers* (7/16" lock).



After Completing Installation

Miscellaneous

1. Check all fasteners to ensure they are tight.
2. Ensure all wires, hoses, cables, etc. are properly connected and there is ample slack.

⚠WARNING

Retorque all fasteners after 500 miles and after off road use. All suspension lift components should be visually inspected and fasteners retorqued during routine vehicle servicing.

NOTE

All warranty information, instruction sheets, and other documents regarding the installation of this product must be retained by the vehicle owner. Information contained in the instructions and on the warranty card will be required for any warranty claims. The vehicle owner needs to understand the modifications made to the vehicle and how they affect vehicle handling and performance. Failure to provide the customer with this information can result in damage to the vehicle and severe personal injury.

Kit Parts List

Qty. Description

Kit# 8082

- 1 **Label** (logo)
- 1 **Loctite®** (6ml bottle)
- 1 **Skid plate** (front)

- 1 **8082BAG (Hardware bag)**
- 2 **Bolt** (7/16" x 1")
- 2 **Washer** (7/16" lock)
- 2 **Bolt** (10mm x 30mm)
- 2 **Washer** (10mm lock)

Kit# 8092

- 1 **Label** (logo)
- 1 **Loctite®** (6ml bottle)
- 1 **Skid plate** (bottom)

- 1 **8091BAG (Hardware bag)**
- 4 **Bolt** (7/16" x 1")
- 4 **Washer** (7/16" lock)

NOTE

Depending on the kit numbers purchased, some parts may not be used.